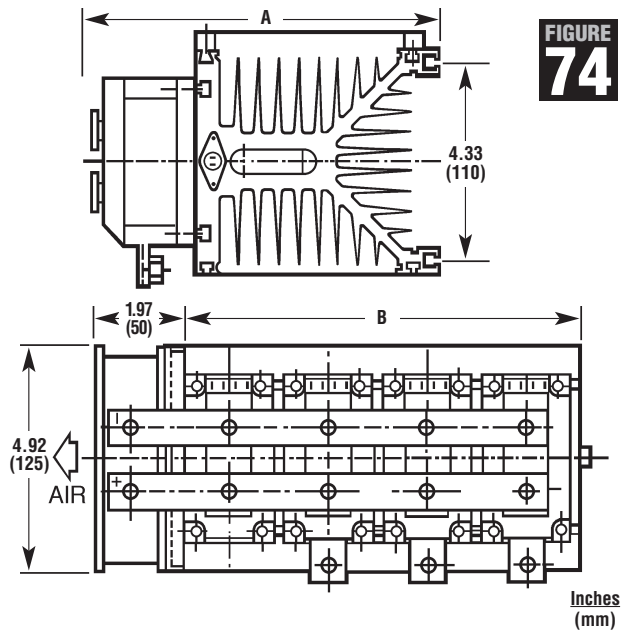
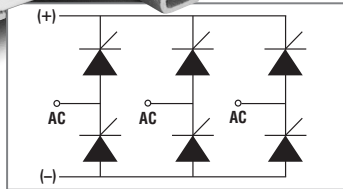


SCR70TB120DF
(Fan optional)



CKE Number	Repetitive Peak Reverse Voltage	Maximum Forward Voltage Drop	Average Forward Current		Maximum Reverse Leakage	Maximum Surge Current	Dimensions		
	V_{RRM} Per Leg V (Volts)	V_F @ I_F Per Leg V (Volts)	I_{OUT} @ 45° A (Amps-DC)	Forced Air Cooling (A-DC)	milliAmps T. @ 125°C	I_{FSM} (8.3ms) A (Amps)	A (millimeters)	B (millimeters)	
SCR47 TB Series								Figure 74	
SCR47TB40	400	1.95	47	77	15	420	174	180	
SCR47TB60	600	1.95	47	77	15	420	174	180	
SCR47TB80	800	1.95	47	77	15	420	174	180	
SCR47TB100	1000	1.95	47	77	15	420	174	180	
SCR47TB120	1200	1.95	47	77	15	420	174	180	
SCR60 TB Series								Figure 74	
SCR60TB40	400	1.81	60	110	15	890	174	180	
SCR60TB60	600	1.81	60	110	15	890	174	180	
SCR60TB80	800	1.81	60	110	15	890	174	180	
SCR60TB100	1000	1.81	60	110	15	890	174	180	
SCR60TB120	1200	1.81	60	110	15	890	174	180	
SCR70 TB Series								Figure 74	
SCR70TB40	400	1.54	70	130	15	1370	174	180	
SCR70TB60	600	1.54	70	130	15	1370	174	180	
SCR70TB80	800	1.54	70	130	15	1370	174	180	
SCR70TB100	1000	1.54	70	130	15	1370	174	180	
SCR70TB120	1200	1.54	70	130	15	1370	174	180	
SCR85 TB Series								Figure 74	
SCR85TB40	400	1.58	85	175	15	1870	174	180	
SCR85TB60	600	1.58	85	175	15	1870	174	180	
SCR85TB80	800	1.58	85	175	15	1870	174	180	
SCR85TB100	1000	1.58	85	175	15	1870	174	180	
SCR85TB120	1200	1.58	85	175	15	1870	174	180	
SCR105 TB Series								Figure 74	
SCR105TB40	400	1.49	105	235	50	7850	200	220	
SCR105TB60	600	1.49	105	235	50	7850	200	220	
SCR105TB80	800	1.49	105	235	50	7850	200	220	
SCR105TB100	1000	1.49	105	235	50	7850	200	220	
SCR105TB120	1200	1.49	105	235	50	7850	200	220	

Please Note: All units are MOV compensated. Other circuit arrangements available, doubler, quadrupler and single phase bridges. Please add a "D" for Free Wheeling Diode and an "F" for Fan. Fast recovery can be requested along with higher voltages and higher current assemblies.