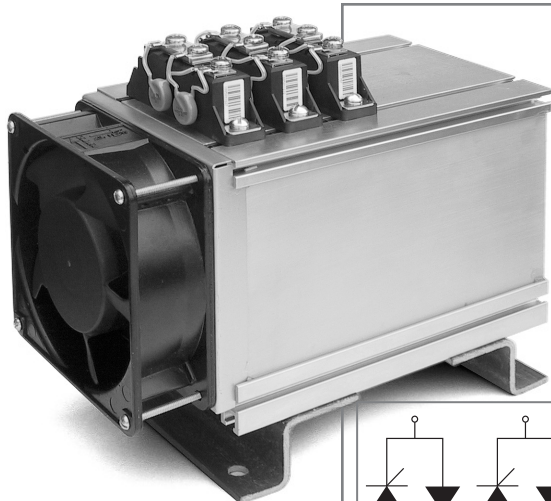
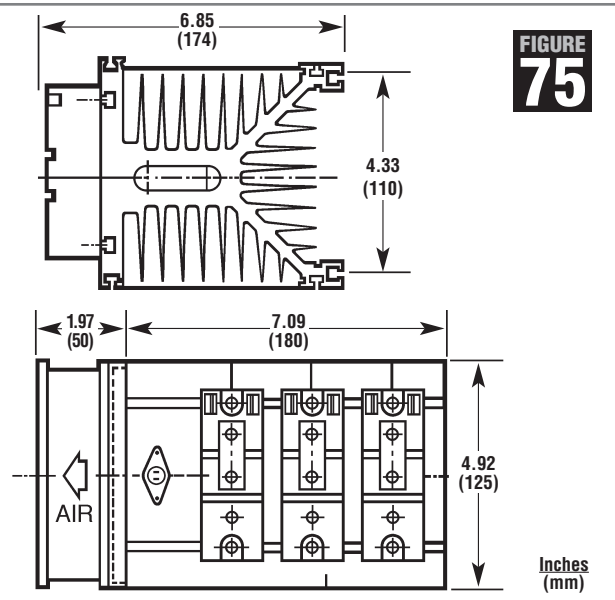
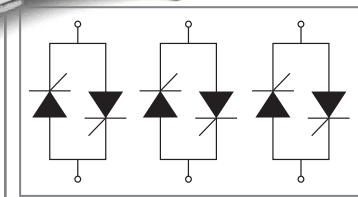




3 PHASE AC SCR CONTACTORS



SCR75TC120F



CKE Number	Repetitive Peak Reverse Voltage V_{RRM} Per Leg V (Volts)	Maximum Forward Voltage Drop V_f @ I_f Per Leg V (Volts)	Output Current Amps RMS (A_{RMS})	Forced Air Cooling (A_{RMS})	Leakage milliAmps T_j @ 125°C	Maximum Reverse Surge Current I_{FSM} (8.3ms) A (Amps)	Dimensions A B (millimeters)
SCR47 TC Series							Figure 75
SCR47TC40	400	1.95	47	60	15	420	174 180
SCR47TC60	600	1.95	47	60	15	420	174 180
SCR47TC80	800	1.95	47	60	15	420	174 180
SCR47TC100	1000	1.95	47	60	15	420	174 180
SCR47TC120	1200	1.95	47	60	15	420	174 180
SCR60 TC Series							Figure 75
SCR60TC40	400	1.81	60	85	15	890	174 180
SCR60TC60	600	1.81	60	85	15	890	174 180
SCR60TC80	800	1.81	60	85	15	890	174 180
SCR60TC100	1000	1.81	60	85	15	890	174 180
SCR60TC120	1200	1.81	60	85	15	890	174 180
SCR75 TC Series							Figure 75
SCR75TC40	400	1.54	75	100	15	1370	174 180
SCR75TC60	600	1.54	75	100	15	1370	174 180
SCR75TC80	800	1.54	75	100	15	1370	174 180
SCR75TC100	1000	1.54	75	100	15	1370	174 180
SCR75TC120	1200	1.54	75	100	15	1370	174 180
SCR95 TC Series							Figure 75
SCR95TC40	400	1.58	95	135	15	1870	174 180
SCR95TC60	600	1.58	95	135	15	1870	174 180
SCR95TC80	800	1.58	95	135	15	1870	174 180
SCR95TC100	1000	1.58	95	135	15	1870	174 180
SCR95TC120	1200	1.58	95	135	15	1870	174 180
SCR135 TC Series							Figure 75
SCR135TC40	400	1.57	135	160	50	3360	200 220
SCR135TC60	600	1.57	135	160	50	3360	200 220
SCR135TC80	800	1.57	135	160	50	3360	200 220
SCR135TC100	1000	1.57	135	160	50	3360	200 220
SCR135TC120	1200	1.57	135	160	50	3360	200 220
SCR160 TC Series							Figure 75
SCR160TC40	400	1.54	160	185	50	5100	200 220
SCR160TC60	600	1.54	160	185	50	5100	200 220
SCR160TC80	800	1.54	160	185	50	5100	200 220
SCR160TC100	1000	1.54	160	185	50	5100	200 220
SCR160TC120	1200	1.54	160	185	50	5100	200 220

Please Note: All units are MOV compensated. Other circuit arrangements available, doubler, quadrupler and single phase bridges. Please add a "D" for Free Wheeling Diode and an "F" for Fan. Fast recovery can be requested along with higher voltages and higher current assemblies.