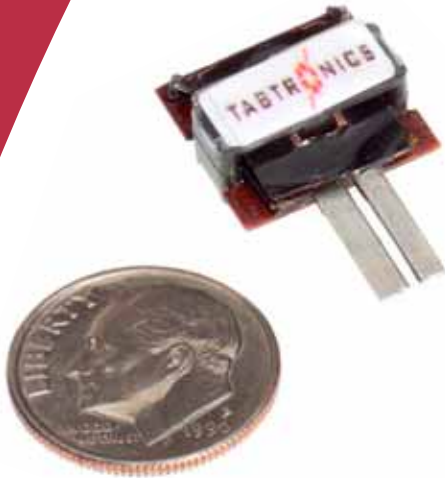
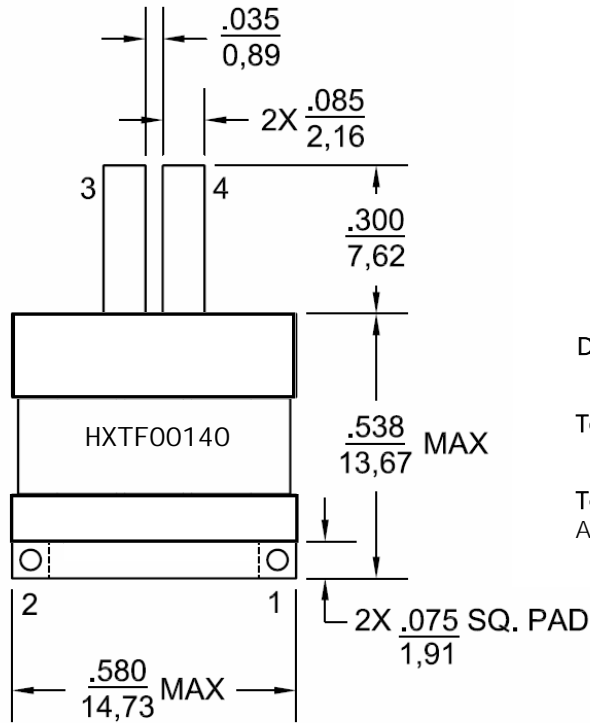


# HYPER-XMT™ HXTF00140 FORWARD CONVERTER TRANSFORMER



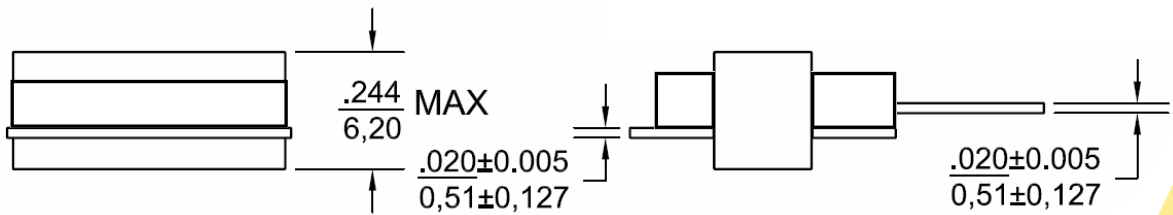
- Designed for forward converters with 500 kHz switching frequency
- Provides 52 W (1.3 V, 40 A) output from 36 to 72 VDC input
- Less than 0.25 inch (6.35 mm) height
- 13:1 turns ratio
- Low Leakage Inductance and Interwinding Capacitance
- Utilizes patent-pending Hyper-X Magnetic Technology™ winding optimization
- RoHS Compliant†



Dimensions: Inches  
mm

Tolerances:  $\pm 0.010"$  / 0,254mm unless otherwise specified.

Terminations: Terminations (1,2,3,4) are for reference only. Actual terminations will be configured for specific applications.

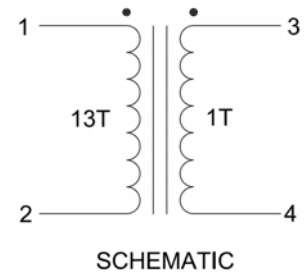


thinking big. designing small. magnetics to the highest power.

# HYPER-XMT™ HXTF00140 FORWARD CONVERTER TRANSFORMER

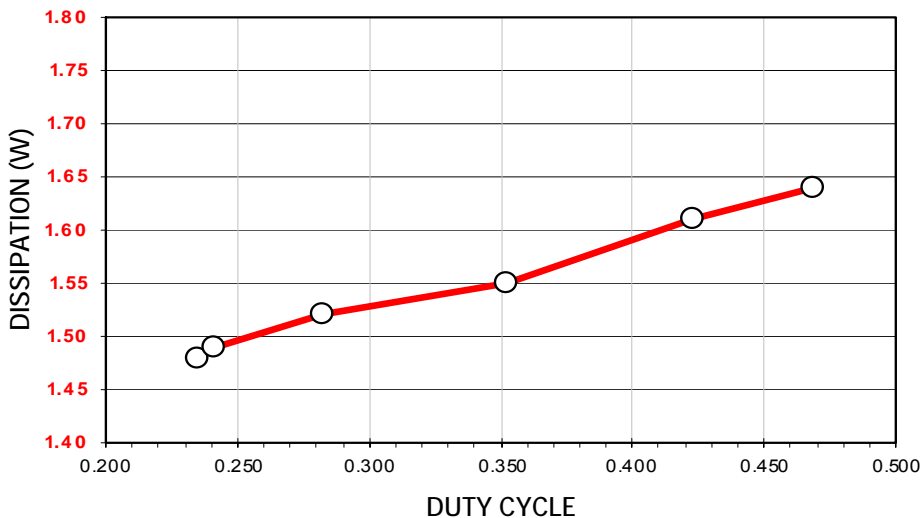
## ELECTRICAL SPECIFICATIONS (@ +25°C)†:

DCR: Primary (1 – 2) = 0.070 Ω Max  
 Secondary (3 – 4) = 0.50 mΩ Max  
 OCL: Primary = 70 μH Min @ 500 kHz  
 LEAKAGE IND: 0.6 μH Max @ 500 kHz  
 INTERWINDING CAPACITANCE: 40 pF Max  
 SRF: 10 MHz Min  
 ET: 40 VμS Min (unidirectional)  
 DWV: 1500 VDC Primary - Secondary  
 1500 VDC All Windings to Core  
 OPERATING TEMPERATURE: -40°C to +125°C  
 VA CAPACITY: Application dependent. ‡



TYPICAL DISSIPATION & EFFICIENCY FOR 52 W OUTPUT (1.3 V, 40 A)  
 500 kHz SWITCHING FREQUENCY (@ +25°C)

DUTY CYCLE	DISSIPATION (W)	EFFICIENCY
0.235	1.48	97.23
0.241	1.49	97.23
0.282	1.52	97.16
0.352	1.55	97.11
0.423	1.61	97.01
0.469	1.64	96.94



† RoHS compliant version designated HXTF00140R.

‡ Contact Tabtronics for application specific installation recommendations.

**Working together, we will be surprisingly powerful.**

We look forward to your call or email and invite you to learn more about our people, products, technologies, and philosophies at [www.tabtronics.com](http://www.tabtronics.com).

### About Tabtronics, Inc.

Tabtronics specializes in creating and commercializing advanced technology for electromagnetic components. The company's technology is relied upon by military, avionics, and high technology customers.

Tabtronics has 25 years experience in direct manufacture of electromagnetic components, and also licenses its technology to other manufacturers and system integrators. The firm's continuing focus is the development of innovative methods to provide efficient power through smaller components.



P.O. Box 128  
 Geneseo, New York  
 14454-0128

toll-free: 888-876-6424  
 voice: 585-243-4331  
 fax: 585-243-3831  
 e-mail: [HXTF00140@tabtronics.com](mailto:HXTF00140@tabtronics.com)  
[www.tabtronics.com](http://www.tabtronics.com)

© 2005 Tabtronics Inc. All rights reserved. **Tabtronics Inc.** is a trademark and other Tabtronics product and service names and slogans referenced in this document, including Hyper-X Magnetics Technology and Hyper-XMT are trademarks or registered trademarks of Tabtronics Inc. (TI). All other company, product or service names referenced herein are used for identification purposes only and may be trademarks of their respective owners. TI reserves the right to make changes without further notice to any products herein. TI makes no warranty, representation or guarantee regarding the suitability of its products for any particular purpose, nor does TI assume any liability arising out of the application of use of any product or circuit, and specifically disclaims any and all liability, including without limitation special, consequential or incidental damages. \*Typical\* parameters which may be provided in TI data sheets and/or specifications can and do vary in different applications and actual performance may vary over time. All operating parameters, including \*Typicals\* must be validated for each customer application by customer's technical experts. TI does not convey any license under its patent rights nor the rights of others. TI products are not designed, intended, or authorized for use as components in systems intended for surgical implant into the body, or other applications intended to support or sustain life, or for any other application in which the failure of the TI product could create a situation where personal injury or death may occur. Should Buyer purchase or use TI products for any such unintended or unauthorized application, Buyer shall indemnify and hold TI and its officers, employees, subsidiaries, affiliates, and distributors harmless against all claims, costs, damages, and expenses, and reasonable attorney fees arising out of, directly or indirectly, any claim of personal injury or death associated with such unintended or unauthorized use, even if such claim alleges that TI was negligent regarding the design or manufacture of the part. TI is an Equal Opportunity/Affirmative Action Employer. This literature is subject to all applicable copyright laws and is not for resale in any manner.

