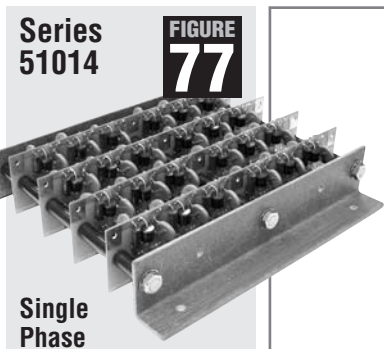
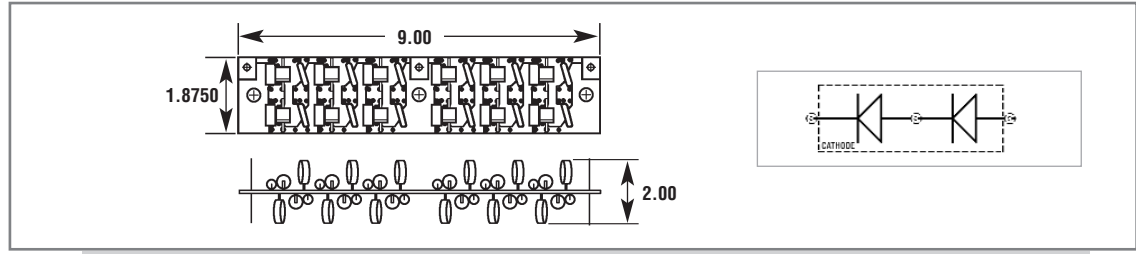


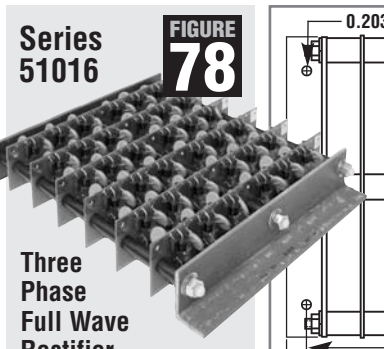
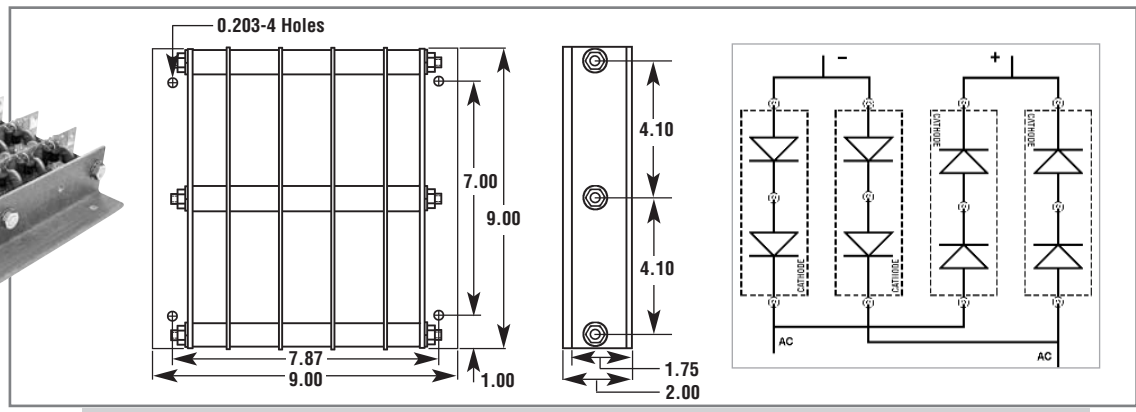
**FIGURE 76**

**Series 51000**  
Single Phase  
Half Wave Rectifier



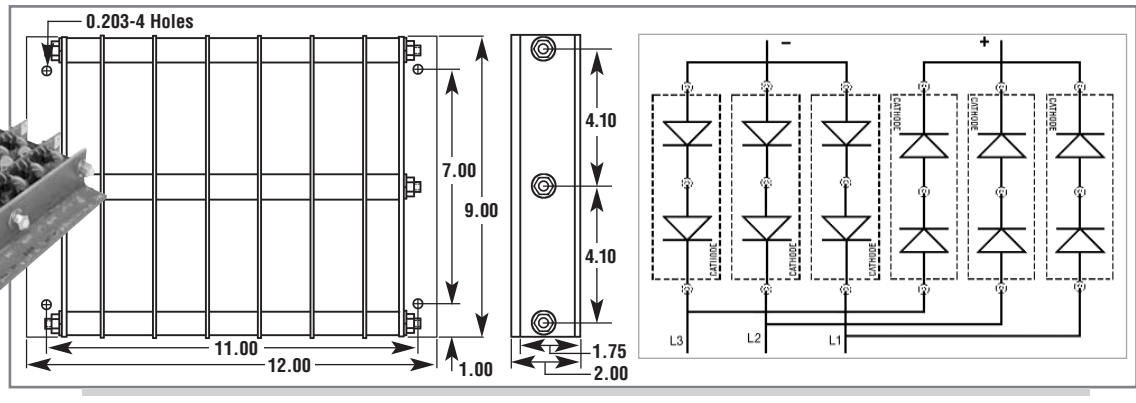
**FIGURE 77**

**Series 51014**  
Single Phase  
Full Wave Rectifier



**FIGURE 78**

**Series 51016**  
Three Phase  
Full Wave Rectifier



Series	Configuration	Figure
Series 51000	Single Phase Half Wave Rectifier	Figure 76
Average Forward Current @	50°C (Ambient)	3.0 Amps
Average Forward Current @	50°C (Forced Air 300ft/min)	4.5 Amps
Maximum Surge Current, 8.3ms Sine Pulse		400 Amps
Peak Inverse Voltage Rating (V <sub>RRM</sub> )		24 KV
Maximum Forward Voltage Drop		24 Volts
Series 51014	Single Phase Full Wave Bridge	Figure 77
Average Forward Current @	50°C (Ambient)	6.0 Amps
Average Forward Current @	50°C (Forced Air 300ft/min)	9.0 Amps
Maximum Surge Current, 8.3ms Sine Pulse		400 Amps
Peak Inverse Voltage Rating (V <sub>RRM</sub> )	Per Leg	24 KV
Maximum Forward Voltage Drop	Per Leg	24 Volts
Series 51016	Three Phase Full Wave Bridge	Figure 78
Average Forward Current @	50°C (Ambient)	9.0 Amps
Average Forward Current @	50°C (Forced Air 300ft/min)	13.5 Amps
Maximum Surge Current, 8.3ms Sine Pulse		400 Amps
Peak Inverse Voltage Rating (V <sub>RRM</sub> )	Per Leg	24 KV
Maximum Forward Voltage Drop	Per Leg	24 Volts

Physical Dimensions				
P/N	Length	Width	Height	Figure
51000	9.0 inches	1.875 inches	2.0 inches	76
51014	9.0 inches	9.0 inches	2.0 inches	77
51016	9.0 inches	12.00 inches	2.0 inches	78
Operating and Storage Temperature (T <sub>A</sub> )		125° to -40°C		

Higher current ratings can be achieved by running the unit in oil.  
Other voltages, currents, configurations and fast recovery are available. Please consult the factory.