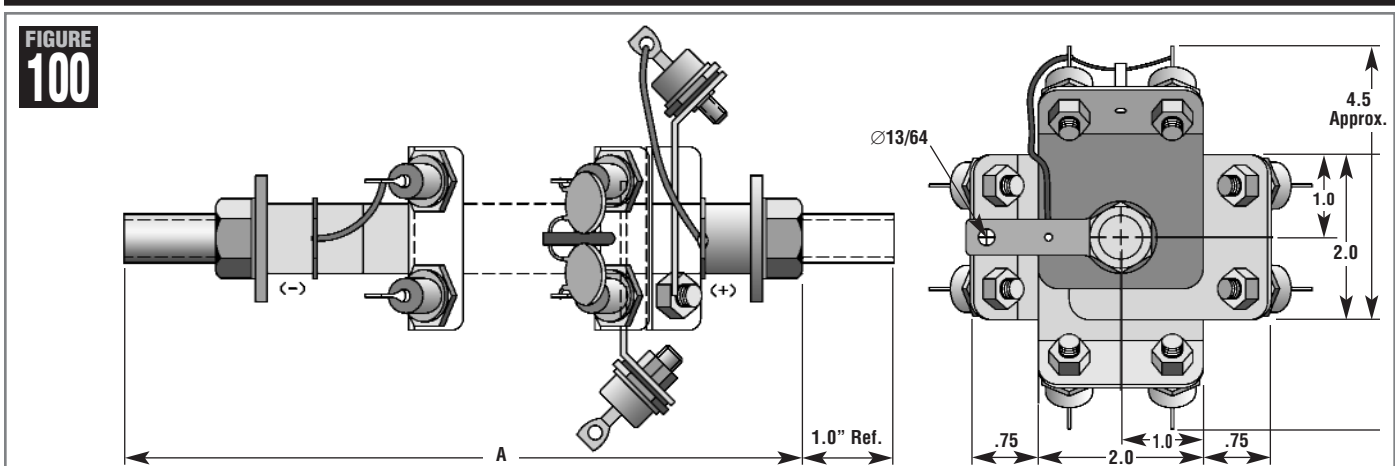


CJV04H*S		Height H=3.70" max
Average Forward Current Max @ 50°C Ambient	I _{FAVM}	6.5 Amps
Average Forward Current Max @ 50°C (Forced Air 300ft/min)	I _{FAVM}	12.5 Amps
Maximum Surge Current, 10ms Sine Pulse	I _{FSM}	370 Amps
CJV05H*S		Height H=3.70" max
Average Forward Current Max @ 50°C Ambient	I _{FAVM}	10.0 Amps
Average Forward Current Max @ 50°C (Forced Air 300ft/min)	I _{FAVM}	22.0 Amps
Maximum Surge Current, 10 ms Sine Pulse	I _{FSM}	800 Amps
CJV06H*S		Height H=3.70" max
Average Forward Current Max @ 50°C Ambient	I _{FAVM}	12.0 Amps
Average Forward Current Max @ 50°C (Forced Air 300ft/min)	I _{FAVM}	24.0 Amps
Maximum Surge Current, 10 ms Sine Pulse	I _{FSM}	1200 Amps

*- Number of modules	16	20	24	28	32	36	40	44	48
Length A (Inches)	7.375	8.50	9.625	10.75	11.875	13.00	14.125	15.25	16.375
Maximum Operating Peak Voltage	8KV	10KV	12KV	14KV	16KV	18KV	20KV	22KV	24KV
VF @ I _{FAVM} @ 25°C	16	20	24	28	32	36	40	44	48
Maximum Operating and Storage Temperature	TA								-40°C to 125°C
Maximum Reverse Leakage Current @ operating voltage @ T _J =25°C, less than 100 micro amps									



CJ2V04H*S		Height H=3.70" max
Average Forward Current Max @ 50°C Ambient	I _{FAVM}	3.25 Amps
Average Forward Current Max @ 50°C (Forced Air 300ft/min)	I _{FAVM}	6.25 Amps
Maximum Surge Current, 8.3ms Sine Pulse	I _{FSM}	370 Amps
CJ2V06H*S		Height H=3.70" max
Average Forward Current Max @ 50°C Ambient	I _{FAVM}	6.0 Amps
Average Forward Current Max @ 50°C (Forced Air 300ft/min)	I _{FAVM}	12.0 Amps
Maximum Surge Current, 8.3 ms Sine Pulse	I _{FSM}	1500 Amps

*- Number of modules	16	20	24	32	36	40	48	56	
Length A (Inches)	5.125	5.625	6.250	7.375	7.875	8.500	9.625	10.725	
Maximum Operating Peak Voltage	8KV	10KV	12KV	16KV	18KV	20KV	24KV	28KV	
VF @ I _{FAVM} @ 25°C	16	20	24	32	36	40	48	56	
Maximum Operating and Storage Temperature	TA								-40°C to 120°C
Maximum Reverse Leakage Current @ operating voltage @ T _J =25°C, less than 100 micro amps									

Note: 1 The true PIV of an MOV compensated unit is 2X the operating voltage.
 Note: 2 Each diode is rated @ 1000 volt minimum and MOV compensated which gives an avalanche rating of 90 joules maximum (8x20 microsec) and a V_{nominal} of 680 volts. For R-C compensation, drop the "S" suffix.

Higher Voltages, Higher Surge Currents, Fast Recovery, Custom Lengths, and doubler assemblies available. Please Consult the Factory.
 Note: Each diode is MOV compensated.

DIODES

